

LED High Bay Lighting 120lm/w Series

Model: BLT-HBR- 200

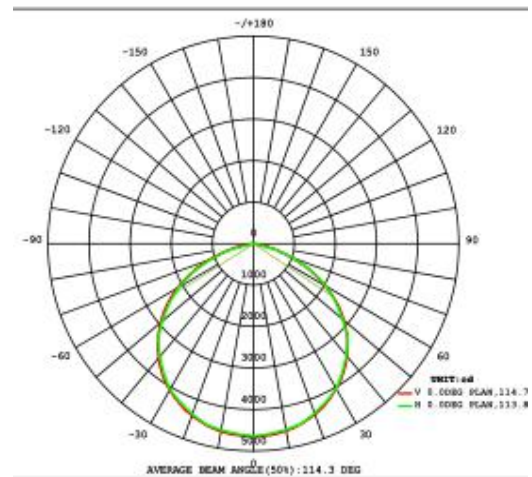
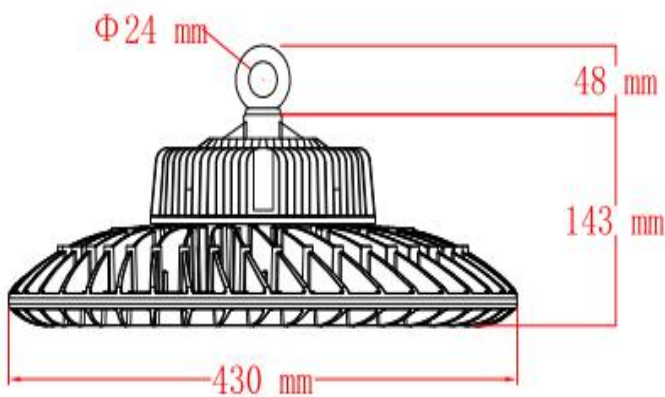


Features

- Unique thermal management design to ensure low LED junction temperature.
- Ultra high power to give ultra high brightness.
- Easy installation and maintenance, dust prevention, longer lifetime with high lumen maintenance.
- No UV and IR radiations, emits low heat.
- High power factor (>0.95)
- Energy savings of over 60% compared with HID sources
- CE, ROHS, ETL, SAA listed
- Ideal for parking lots, shopping malls, walkways, plazas, garages, historic areas and other industrial and commercial lighting
- Protection Class: IP65
- Warranty: 5years
- Fixture Net Weight: 7.8 kgs
- Packing carton size: 48*48*21.5 cm/1pc

Product Specification

Model No.	Total Power	Input Voltage	Output Lumen (lm)	Beam angle	Light Output	CRI	Working Tem. (° C)	LED/Driver	Dimmable	Size(L x W x H)
BLT-HBR-200	200W	90-305V	25000lm	120°	2700k-6500K	> 80	-40 - 50° C	Luxeon/ Meanwell	optional	430*430*143



Add: No.603-605, global logistics services center,
China South City, Pinghu, Longgang District,
Shenzhen, China.

T. +86-0755-89361846

E. sales@botanicaled.com

