

LED Flood Lighting 120lm/w Series

Model: BLT-FLA- 320W

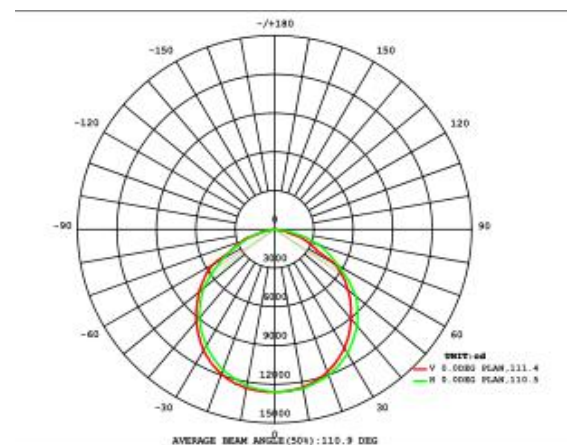
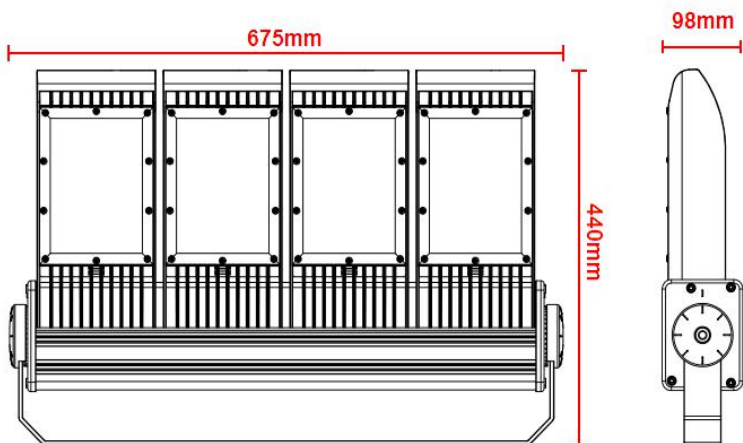


Features

- Unique thermal management design to ensure low LED junction temperature.
- Ultra high power to give ultra high brightness.
- Easy installation and maintenance, dust prevention, longer lifetime with high lumen maintenance.
- No UV and IR radiations, emits low heat.
- High power factor (>0.95)
- Energy savings of over 60% compared with HID sources
- CE, ROHS, ETL, DLC listed
- Ideal for parking lots, shopping malls, walkways, plazas, garages, historic areas and other commercial lighting
- Protection Class: IP65
- Warranty: 5years
- Fixture Net Weight: 16.3kgs
- Packing carton size: 53.5*79*22cm/1pc

Product Specification

| Model No. | Total Power | Input Voltage | Output Lumen (lm) | Beam angle | Light Output | CRI | Working Tem. (° C) | LED/Driver | Dimmable | Size(L x W x H) |
|-------------|-------------|---------------|-------------------|------------|--------------|------|--------------------|----------------|----------|-----------------|
| BLT-FLA-320 | 320W | 90-305V | 32500lm | 30° - 120° | 2700k-6500K | > 70 | -40 - 50° C | Cree/ Meanwell | optional | 440*675*98mm |



Add: No.603-605, global logistics services center,
China South City, Pinghu, Longgang District,
Shenzhen, China.

T. +86-0755-89361846

E. sales@botanicaled.com

